

NEW PRODUCT

WIRELESS ACCESS POINT ENCLOSURE



READY MOUNT CISCO™ AIRONET 1200

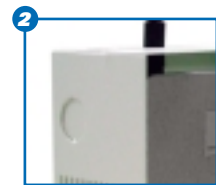
The new Wireless Access Point Enclosure is an ideal solution for securely storing wireless access equipment. This new product is specifically designed for Cisco™ Aironet 1200 wireless hub. An economical solution for schools and residential installs where wireless technology is being implemented. Available in several durable powder coat finishes to complement any decor and the small compact design makes it easy to discreetly hide the wireless equipment housed within.

Product Features

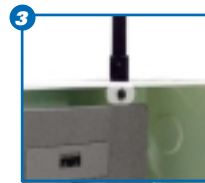
- ▶ Fully welded steel construction
- ▶ Ready-Mount CISCO Aironet 1200 Wireless Hub
- ▶ Swing-down cover with screw latch
- ▶ Multiple 1 1/4" knock-outs
- ▶ Ventilation pattern on sides and bottom
- ▶ Antenna knock-outs
- ▶ Wall mounting brackets on rear of box, ready to mount
- ▶ Textured epoxy powder-coat finish: putty, blue, black, gray, white, hematite gray



Antenna knocks



Multiple conduit entrances - top, bottom and sides



Screw tight front latch



Swing-down cover



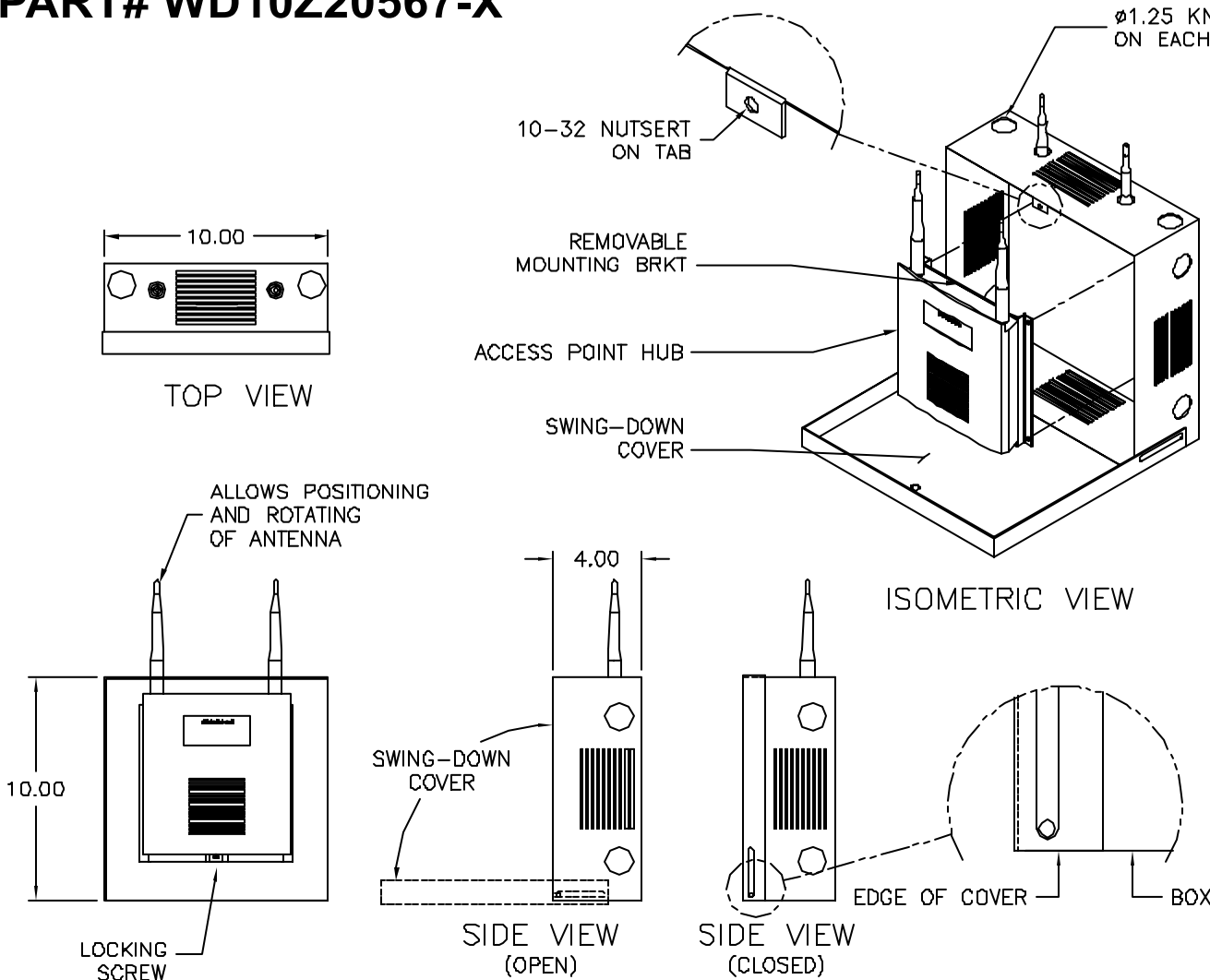
Ventilation pattern - top, bottom and sides

Part Number's

PART #	HxWxD	COLOR	WT
WD10Z20567-1	10x10x04	PUTTY	8
WD10Z20567-3	10x10x04	BLACK	8
WD10Z20567-4	10x10x04	GRAY	8
WD10Z20567-5	10x10x04	WHITE	8

WD SERIES WIRELESS ACCESS POINT ENCLOSURE

PART# WD10Z20567-X



OUTSIDE DIMENSIONS 10"H x 10"W x 4"D

BOX VENTED TOP
VENTED BOTTOM
VENTED SIDES

DOOR TYPE SOLID SWING-DOWN
LOCKABLE

ACCESSORIES REMOVABLE SUB-PANEL
DESIGNED TO SECURE
A CISCO AIRONET 1200 SERIES
WIRELESS ACCESS POINT HUB

COLOR BLACK, GRAY, IVORY
(POWDER COATED)

MAT'L 18 GA.

DAMAC PRODUCTS INC. DA BRANCH DA 80338	ALL DIMENSIONS ARE PROPRIETARY AND OF DAMAC PRODUCTS INC. ANY REPRODUCTION, USE IN ANY FORM MUST HAVE PRIOR WRITING AGREEMENT W/ DAMAC.		ENCLOSURE, ACCESS POINT 10.00 x 10.00 x 4.00		PART NO. WD10Z20567-X	CHECKED DTG	RC	SCALE N/A	MATERIAL: N/A FINISH: N/A
	TOLERANCE .0004-.010 XXX.000 XXX.010 TYPICAL ALL DIM. ARE IN INCHES UNLESS OTHERWISE SPECIFIED.	DRAWN BY: DATED CR	DATE 05.04.2004	SHEET 1 OF 1	REV. --	MAX BEND R=.030, RELIEF=.060 A/R UNLESS OTHERWISE SPECIFIED			